

ACTIVE TUNING ANTENNA SYSTEM

ATAS-100

Technical Supplement

©1998 Yaesu Musen Co., Ltd Printed in Japan.

E12959000 (9804a-0K)

YAESU MUSEN CO., LTD.
1-20-2 Shinomaruko, Ora-Ku, Tokyo 146-8649, Japan

YAESU U.S.A.
17210 Edwards Rd., Carrritos, CA 90703, U.S.A

YAESU U.S.A. INTERNATIONAL DIVISION
10913 North West 30th Street, Suite #105, Miami, FL 33172, U.S.A

YAESU EUROPE B.V.
Schipweg 3, 1116DN Schiphol, The Netherlands

YAESU UK LTD.
Unit 2, Maple Grove Business Centre,
Lawrence Rd., Hounslow, Middlesex, TW4 6DR, U.K

YAESU GERMANY GmbH
Am Kronberger Hang 2, D-65824 Schwalbach, Germany

YAESU HK LTD.
11th Floor Tsim Sha Tsui Centre, 66 Mody Rd.,
Tsim Sha Tsui East, Kowloon, Hong Kong

Specifications

Frequency Range: 7/14/21/28/50/144/430 MHz Amateur Bands

Height (Approx.): 1.4 ~ 1.6 meters (4.59 ~ 5.24 feet)

Weight (Approx.): 930 g (2.05 lbs.)

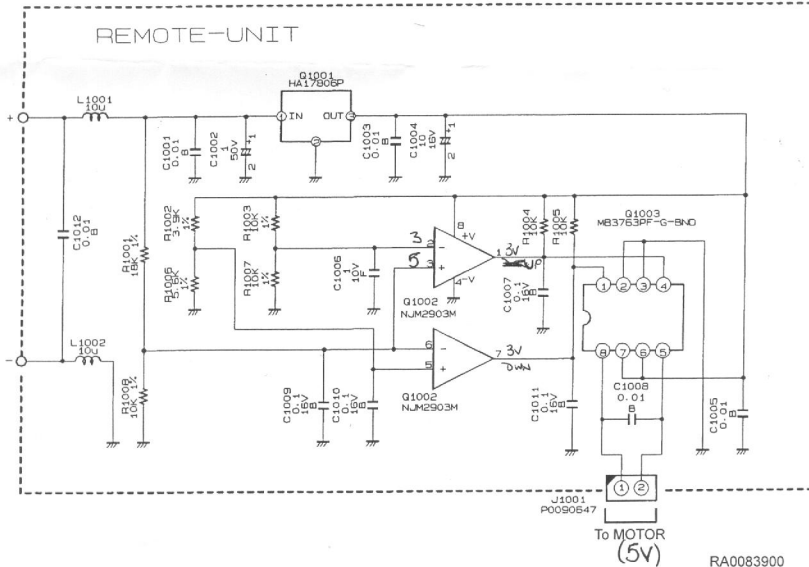
Input Impedance: 50 Ω

Max. Input Power: 120 Watts (SSB)

Matched SWR: Less than 2.0:1 (with proper counterpoise)

(Specifications subject to change without notice or obligation)

Circuit Diagram



RA0084400
ROT ASS'Y
92cms

RA0083800
ROT HOLDER

RA0081600
DUST BUUTS

RA0083900
RUBBER RING

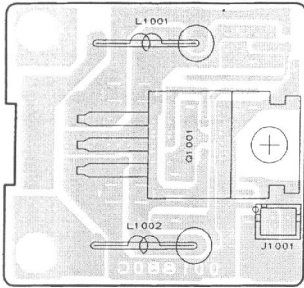
RA0081900
OUTER TUBE

RA0083900
RUBBER RING

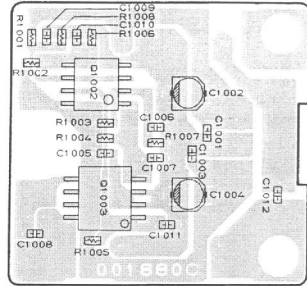


RA0095200 LABEL (Power Gain)

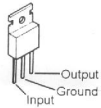
Parts Layout



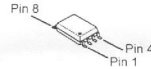
Component side



Chip side



HA17806P
(Q1001)



NJM2903M
(Q1002)
MB3763PF-G-BND-TF
(Q1003)

Parts List

REF.	DESCRIPTION	VALUE	V/W	TOL.	MFR'S DESIG	YAESU P/N	VERS.	LOT.
*** REMOTE-UNIT ***								
	PCB with Components					S8100649		
	Printed Circuit Board					FR002420A		
J 1001	CONNECTOR				B 2B-ZR	P0090647		
C 1001	CHIP.CAP.	0.01uF	50	B	GRM39B103M50PT	K22174823		
C 1002	AL.ELECTRO.CAP.	1uF	10V		ECEV1HS010SR	K48170001		
C 1003	CHIP.CAP.	0.01uF	50	B	GRM39B103M50PT	K22174823		
C 1004	AL.ELECTRO.CAP.	10uF			ECEV1CS100SR	K48120001		
C 1005	CHIP.CAP.	0.01uF	50	B	GRM39B103M50PT	K22174823		
C 1006	CHIP.CAP.	1uF	10V	F	GRM39F105Z10PT	K22105001		
C 1007	CHIP.CAP.	0.1uF	16V	B	GRM39B104K16PT	K22124805		
C 1008	CHIP.CAP.	0.01uF	50	B	GRM39B103M50PT	K22174823		
C 1012	CHIP.CAP.	0.01uF	50	B	GRM39B103M50PT	K22174823		
C 1009	CHIP.CAP.	0.1uF	16V	B	GRM39B104K16PT	K22124805		
C 1010	CHIP.CAP.	0.1uF	16V	B	GRM39B104K16PT	K22124805		
C 1011	CHIP.CAP.	0.1uF	16V	B	GRM39B104K16PT	K22124805		
L 1001	M.RFC.	10uH			LAL04NA100K	L1190138		
L 1002	M.RFC.	10uH			LAL04NA100K	L1190138		
Q 1001	IC				HA17806P	G1090937		
Q 1002	IC				NJM2903M T2	G1091073		
Q 1003	IC				MB3763PF-G-BND-TF	G1091224		
R 1001	CHIP RES.	18kohm	1/16W	1%	RMC1/16 183FTP	J24183183		
R 1002	CHIP RES.	3.9kohm	1/16W	1%	RMC1/16 392FTP	J24183392		
R 1003	CHIP RES.	10kohm	1/16W	1%	RMC1/16 103FTP	J24183103		
R 1004	CHIP RES.	10kohm	1/16W	5%	RMC1/16 103JATP	J24185103		
R 1005	CHIP RES.	10kohm	1/16W	5%	RMC1/16 103JATP	J24185103		
R 1006	CHIP RES.	5.6kohm	1/16W	1%	RMC1/16 562FTP	J24183562		
R 1007	CHIP RES.	10kohm	1/16W	1%	RMC1/16 103FTP	J24183103		
R 1008	CHIP RES.	10kohm	1/16W	1%	RMC1/16 103FTP	J24183103		

Mechanical Details (Exploded Views & Mechanical Parts)

Screw KIT (YAESU P/N: S8001571)			
No.	YAESU P/N	Description	Qty.
1	U00104002	PAN HEAD SCREW M2X4NI	2
2	U00105002	PAN HEAD SCREW M2X5NI	2
3	U02204001	PAN HEAD SCREW SM2.6X4	2
4	U20305002	BINDING HEAD SCREW M3X5NI	1
5	U20306002	BINDING HEAD SCREW M3X6NI	2
6	U20408002	BINDING HEAD SCREW M4X8NI	6
7	U31305001	OVAL HEAD SCREW M3X5	3
8	U60300302	HEX NUT N3NI	1
9	U71003001	SPRING LOCK WASHER SW3	3
10	U76008002	WASHER AW8	1
11	U81055020	E RING ETW-6	1
12	U91304001	HEX SOCKET SET SCREW M3X4	1
13	U91306001	HEX SOCKET SET SCREW M3X6	1
14	U91406001	HEX SOCKET SET SCREW M4X6	1
15	U9900085	NYLON WASHER WN6	6

Description	YAESU P/N
LENCH F/SCREW	S8001569
LABEL (Power Gain)	RA0095200

